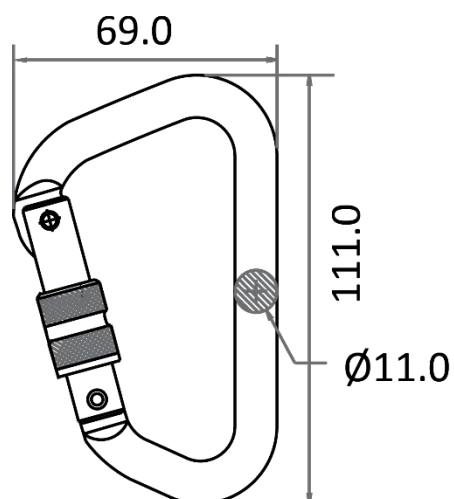








FA 50 103 22



UIAA



REF.	FA 50 103 22
CE	EN 362:2004 Class B EN 12275 Class B/H
	23 kN / 22.5 mm
MAT.	
	SCREW
KEYLOCK	---
+	UIAA, ATEX Directive 2014/34/EU
	0.08 KG



Résistance à la rupture / Ouverture
Breaking strength / Gate opening
Resistencia a la ruptura / Apertura
Resistenza alla rottura / Apertura
Bruchfestigkeit / Öffnung

MAT.

Matière
Material
Material
Materia
Material



Type d'ouverture
Opening system
Tipo de apertura
Sistema di apertura
Öffnungssystem

HS CODE
76169990
CARTON SIZE / PCS.
58x38x23 cm / 200
AET N° 2777_10353-02_E10-01
Satra Technology Europe Ltd., N° 2777, Bracetown Business Park, Clonee, Dublin, D15YN2P, Ireland
MODULE D FI14/14003.02
SGS Fimko Oy, N°0598 Takomotie 8, 00380 HELSINKI, Finland